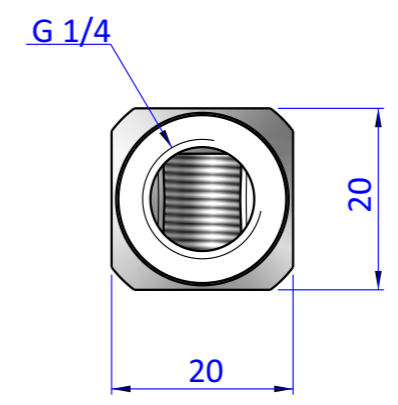
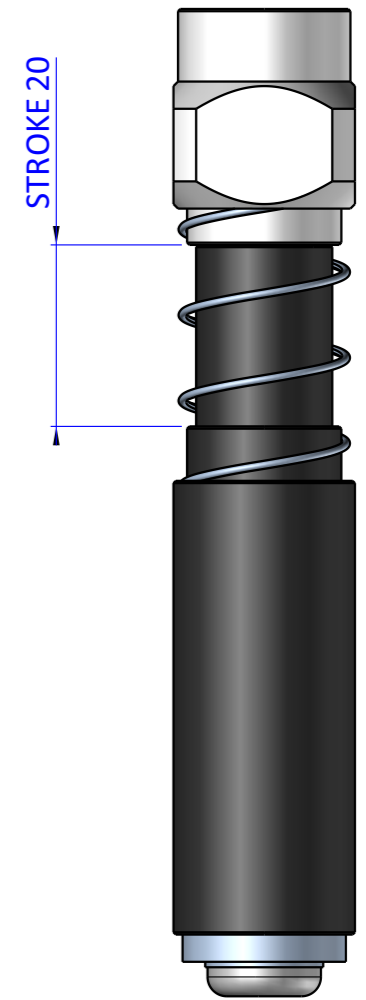
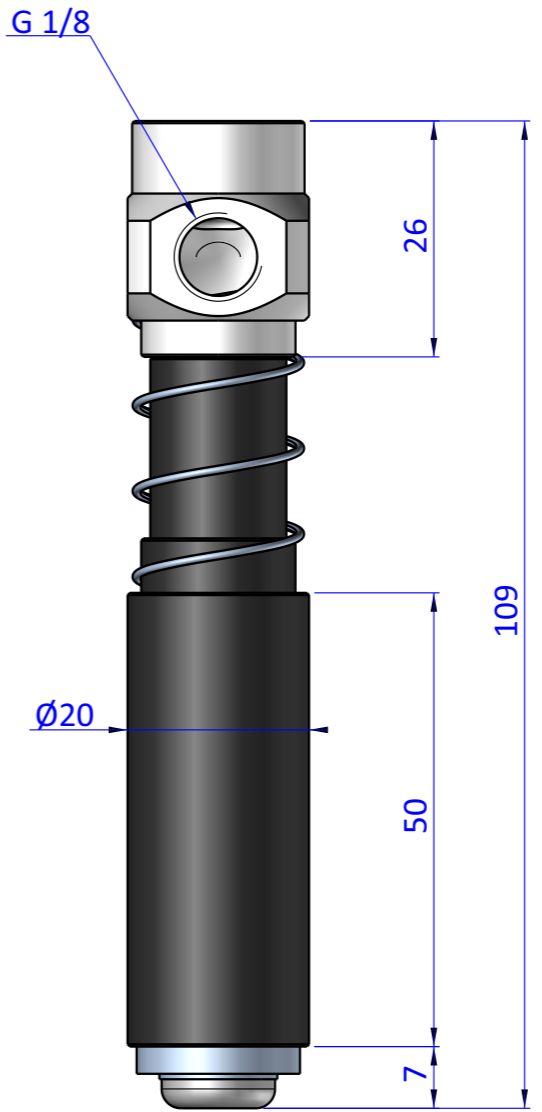
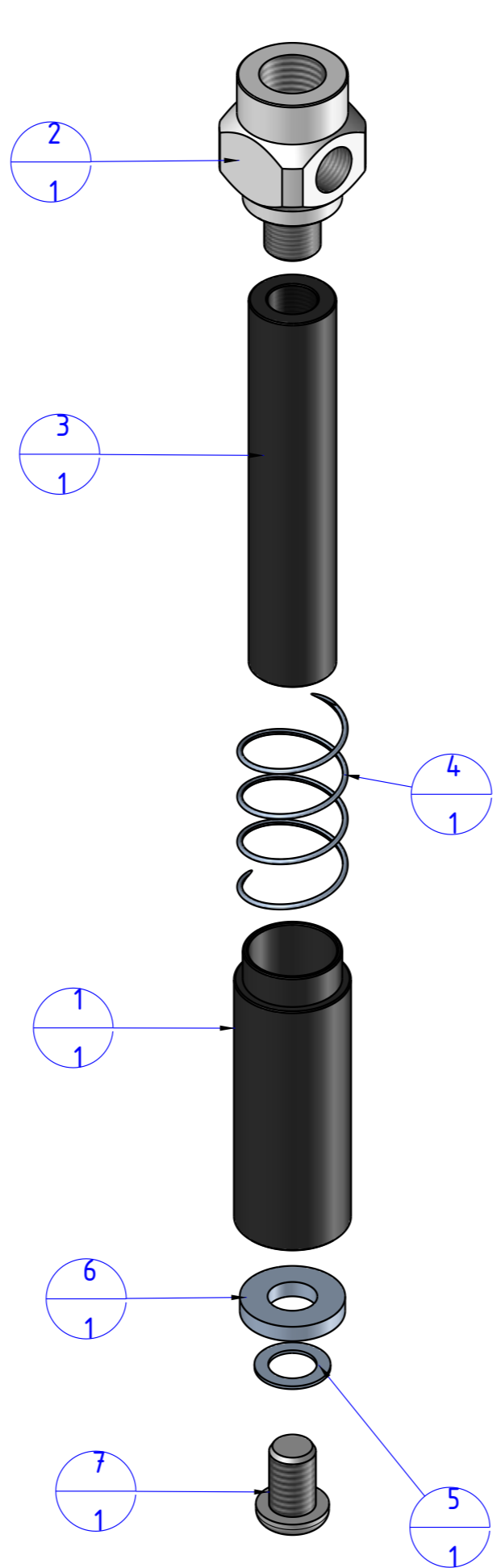



THE PROPERTY OF THE DRAWING IS ESTABLISHED BY LAW. IT IS FORBIDDEN TO PRODUCE OR SHOW IT TO THIRD PART. WITHOUT A WRITTEN AGREEMENT.

| Item | Name | Q.ty |
|------|-----------------|------|
| 1 | GGD.20.2 | 1 |
| 2 | GGD.20.14.18.1 | 1 |
| 3 | GGD.20.20.1 | 1 |
| 4 | M.19X35 | 1 |
| 5 | R.8.SCH | 1 |
| 6 | R.8X18X3 | 1 |
| 7 | V.TBCE8X12.BUTT | 1 |



Format A3
UNI 936-76

| | | | | |
|--|--|-----------------|-----------------|--------|
|  FPS FPSERVICES AUTOMATION | | DESIGNED FROM | | REVIEW |
| | | FPS Automation | | A |
| GENERAL TOLERANCE | | DATE | WEIGHT | |
| UNI - ISO 2768 | | - | 0,076kg | |
| CLASSE f | | CODE | CA.GGD.20141820 | |
| DESCRIPTION | | CA.GGD.20141820 | | |